


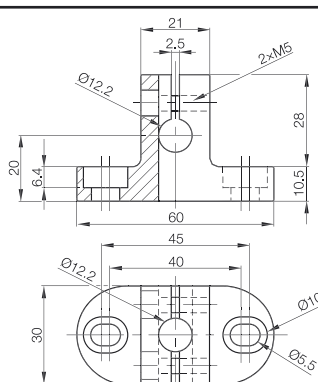
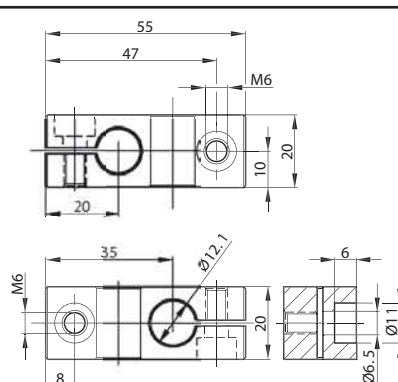
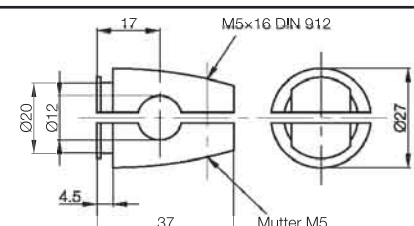


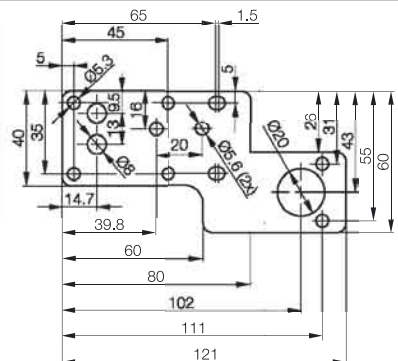


Mounting System HMS



**To the optimized positioning of sensors
Simple and stable fixing in the construction process**

	Base holder	Cross-connectors	Clamping cylinder
	for mounting on base plates or rails for 1 rod Ø 12 mm (vertical or horizontal)	connecting element for 2 rods Ø12 mm	connecting element for 1 rod Ø12 mmr and sensor holder
			
Material	Al anodized	Al anodized	GD-Zn
Type	HMS GH1	HMS KV1	HMS KZ1
Art.-Nr.	9872A	9874A	9875A
			
	Sensor holder	Sensor holder	Mounting rod
	straight for IKU 0 and IKQ 0	right-angle for IKU 0 and IKQ 0	rod Ø 12 mm x 150 mm
			
Material	V4A	V4A	Al anodized
Type	HMS HUG	HMS HUW	HMS S15
Art.-Nr.	9871A	9871B	9873A
			

Tube OL 19 for units of Ø 57 mm housing	Tube OL 21 for units of Ø 76 mm housing (cooling jacket)

The tube with 2 screw-in orifices reduces the view angle for avoiding disturbing radiation because of foreign radiation or reflections (e. g. by water vapour). Using the safety rope included in the delivery protects against falling down.

Type	OL 19	Type	OL 21
Art.-No.	9828A	Art.-No.	9828C
Housing material	stainless steel 1.4305	Housing material	brass or stainless steel
Applicable for series	OAA, OKA, LAA, LSA and LRA	Applicable for series	OAB, OKB, LAB, LSB and LRB
M 30 union of stainless steel if requested		M 30 union of stainless steel if requested	

Swivel Stand HM 1	Swivel Stand HM 2

The swivel stand HM 1 can be hinged in two axis and thus facilitates adjusting of Proxitron IR sensors and light barriers.

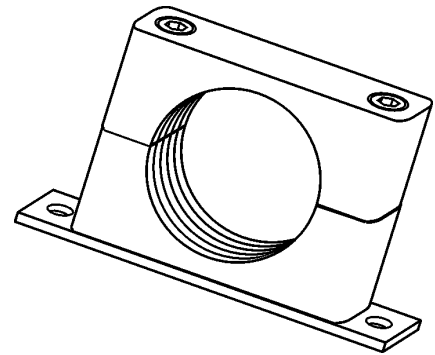
Improved version of HM 1 with additional safety mechanism of shaft and movability of the mounting foot.

Type	HM 1	Type	HM 2
Art.-No.	9816A	Art.-No.	9816B
Housing material	stainless steel 1.4305	Housing material	stainless steel 1.4305
Applicable for series	OAA, OAB, OKA, OKB, LAA, LAB, LSA, LSB, LRA, LRB	Applicable for series	OAA, OAB, OKA, OKB, LAA, LAB, LSA, LSB, LRA, LRB

Holder HM 3		Reflector OR 01 for ambient temperature up to 65 °C	
Type	HM 3	Type	OR 01
Art.-No.	9816C	Art.-No.	9818C
Housing material		Housing material	Plastic
Applicable for series	LRD 080	Applicable for series	LRA, LRB, LRD

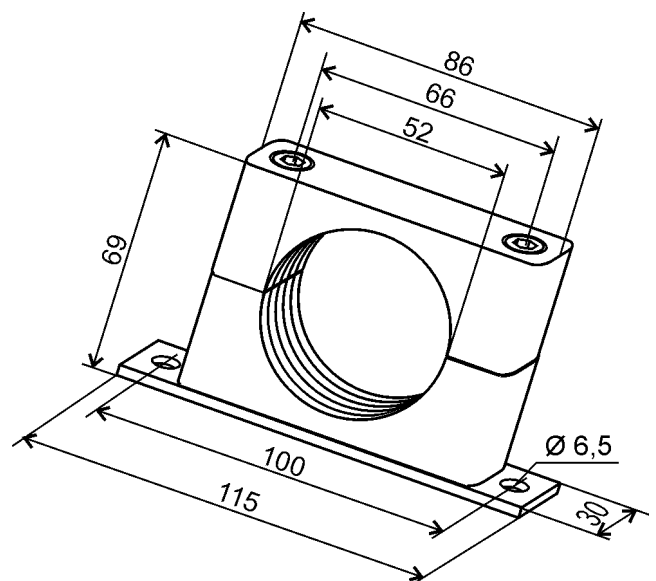
Reflector OR 02 for ambient temperature up to 300 °C		Reflector OR 05 for ambient temperature up to 500 °C	
Type	OR 02	Type	OR 05
Art.-No.	9818A	Art.-No.	9818I
Housing material	Metal / glass	Housing material	glass
Applicable for series	LRA, LRB, LRD	Applicable for series	LRA, LRB, LRD

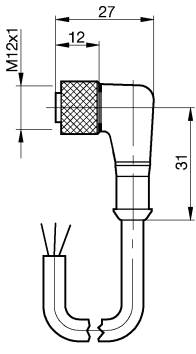
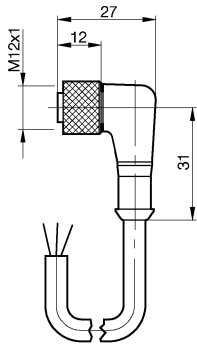
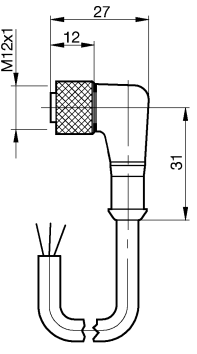
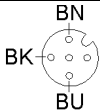
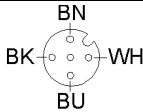
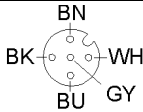
Mounting clamp for sensors with 54 mm housing diameter i. e. MKH 035.

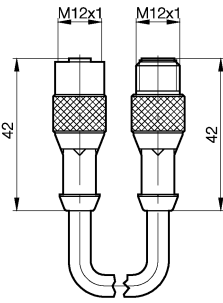
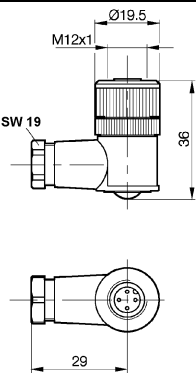
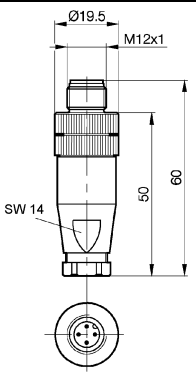
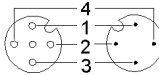
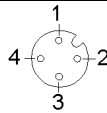
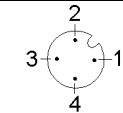


Technical Data

Type	HH 3
Art.-No	9815A
In side diameter	52 mm
Mounting screws	hexagonal socket head cap DIN 912 M6 x 60
Tightening torque	8 Nm
Ambient temperature	-30 ... +90 °C
Material	PP / steel



Designation	Connection Cable S4/3		Connection Cable S4/4		Connection Cable S4/5	
Application	3-pole female, with moulded cable, for units with plug S4		4-pole female, with moulded cable, for units with plug S4		5-pole female, with moulded cable, for units with plug S4	
						
						
Design	Moulded cable		Moulded cable		Moulded cable	
Cable material	PVC		PVC		PVC	
Wire diameter	3 x 0,25 ²		4 x 0,25 ²		5 x 0,25 ²	
Protection class	IP 67/68		IP 67/68		IP 67/68	
Ambient temperature	-25 ... +90 °C		-25 ... +90 °C		-25 ... +90 °C	
	Type	Art.-No.	Type	Art.-No.	Type	Art.-No.
Cable length of 2 m			ST 041/4-2	9841D		
Cable length of 5 m	ST 041/3-5	9841R	ST 041/4-5	9841E	ST 041/5-5	9841Q
Cable length of 10 m			ST 041/4-10	9841S		

Designation	Connection Cable S4		Female Connector S4		Male Connector S4	
Application	4-pole male and female, for connection of plug S4 with female connector S4		4-pole female, to be manufactured, for units with plug S4		4-pole male, to be manufactured, for units with plug S4	
						
						
Design	Moulded cable		Screw terminals		Screw terminals	
Cable material	PVC					
Wire diameter	4 x 0,25 ²		4 x 0,5 ²		4 x 0,5 ²	
Protection class	IP 67/68		IP 67/68		IP 67/68	
Ambient temperature	-25 ... +90 °C		-25 ... +90 °C		-25 ... +90 °C	
	Type	Art.-No.	Type	Art.-No.	Type	Art.-No.
To be manufactured			ST 040	9841A	ST 045	9841H
Cable length of 2 m	ST 042/4-2	9841G				
Cable length of 5 m	ST 042/4-5	9841I				

Designation	Connection Cable S5 AC		Connection Cable S5 DC		Connection Cable S27	
Application	3-pole female, with moulded cable, for AC units with plug S5		4-pole female, with moulded cable, for DC units with plug S5		3-pole female, with moulded cable, for AC units with plug S27	
Design	Moulded cable		Moulded cable		Moulded cable	
Cable material	PVC		PVC		PVC	
Wire diameter	3 x 0,25 ²		4 x 0,25 ²		3 x 0,5 ²	
Protection class	IP 67/68		IP 67/68		IP 68	
Ambient temperature	-25 ... +90 °C		-25 ... +90 °C		-25 ... +90 °C	
	Type	Art.-No.	Type	Art.-No.	Type	Art.-No.
Cable length of 2 m			ST S5-DC2	9844E		
Cable length of 5 m	ST S5-AC5	9844A	ST S5-DC5	9844B	ST 044/3-5	9841C
Cable length of 10 m	ST S5-AC10	9844C				

Designation	Female Connector S5 AC	Female Connector S1	
Application	3-pole female, to be manufactured, for AC units with plug S5	5-pole female, to be manufactured, for units with plug S1	
Design	Screw terminals	Soldered connection + Screw terminals	
Cable material			
Wire diameter	3 x 1,5 ²	5 x 0,5 ² - 1,5 ²	
Protection class	IP 67	IP 65	
Ambient temperature	-40 ... +90 °C	-40 ... +125 °C	
	Type	Art.-No.	Type
To be manufactured	ST S5-AC	9844D	ST 33
Cable length of 5 m			9817E
Cable length of 10 m			